

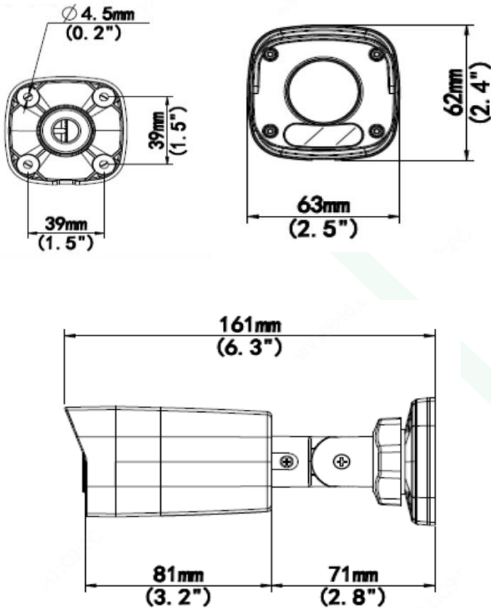
IPT-FX5MPBL-36

5MP H.265 IR Bullet IP Camera



Key Features

- High quality image with 2MP, 1/2.8" CMOS sensor
- 2MP (1920*1080)@30/25fps; 720P (1280*720)@30/25i
- Max. 30fps@2M all resolutions (H.265/H.264)
- Ultra 265, H.265, H.264
- Smart IR, up to 30m (98ft) IR distance
- Day/night functionality
- IR viewable length 30m, IP66, IK10
- 2D/3D DNR (Digital Noise Reduction)
- Support PoE power supply



Model No	IPT-FX5MPBL-36
Video	
Imaging Device	1/2.8", 2.0 megapixel, progressive scan, CMOS
Scanning System	Progressive
Min. Illumination	0.006 Lux @@(F1.6, AGC ON),B/W: 0 Lux with white light
Lens	
Focal Length	3.6MM
Min. Object Distance	0.2M
Lens Type	Fixed
Mount Type	Board-in Type
Operational	
Camera Title	Off/on Multile Line ISD
IR Viewable Length	30 Meters
Day & Night	Auto, External Trigger, Color, B/W
Backlight Comp.	Off, HighLight/ Backlight Correction
Wide Dynamic range	Off, DWDR
Defog	On/off
Motion Detection	Off / On (4ea polygonal zones)
Privacy Masking	Off / On (6ea rectangular zones)
Gain Control	Off / Low / Middle / High
White Balance	Automatic / Warm, Naural, Fluorescent
Shutter Speed	1/5 - 1/100000
Digital Zoom	Yes
Flip / Mirror	Yes
Alram Triggers	Motion, Video Tamper
Network	
Ethernet	RJ-45 (10/100BASE-T)
Compression Format	H.264, H.265
Resolution	5MP (2592x1904) @ 20FPS, 4MP (2560x1440) @ 20FPS, 3MP (2304x1296) @ 25FPS, 2MP (1920x1080) @ 25FPS
Max. Framerate	25 FPS
Bitrate Control	VBR, Fixed
Bitrate	16kbps-4MBPs
Streaming Capability	Dual, Main & Sub
IP	IPv4
Protocol	TCP/IP, UDP/IP, RTP(UDP), RTP(TCP), RTCP,RTSP, NTP, HTTP, HTTPS, SSL/TLS, DHCP, PPPoE, FTP, SMTP, ICMP, IGMP, SNMPv1/v2c/v3(MIB-2), ARP, DNS, DDNS, QoS, PIM-SM, UPnP, Bonjour
API	ONVIF
Web Viewer	IE, Chrome, Firefox
ENVIRONMENTAL	
Operating Temperature / H	30°C ~ +55°C (-22°F ~ +131°F) / Less than 90% RH
Storage Temp.	30°C ~ +60°C (-22°F ~ +140°F) / Less than 90% RH
IP Rating	IP65
ELECTRICAL	
Input Voltage	PoE (IEEE802.3af, Class3)
Power Consumption	Max. 3.5W
MECHANICAL	
Color / Material	Ivory / Alluminium
Dimensions (WxH)	
Weight	