

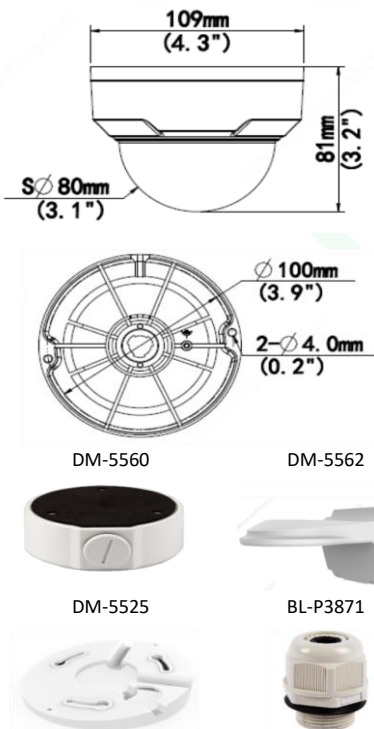
## IPT-FX5MPDM-28

5MP H.265 IR Dome IP Camera



### Key Features

- High quality image with 5MP, 1/2.8" CMOS
- 5MP (2592x1904) @ 20FPS, 4MP (2560x1440) @ 20FPS, 3MP (2304x1296) @ 25FPS, 2MP (1920x1080) @ 25FPS
- H.265, H.264
- Support PoE power supply
- Support Multiple streams
- Support mobile surveillance by smart phones
- Network Storage
- ONVIF



Video	
Imaging Device	1/2.8 "SONY Starvis Back illuminated CMOS sensor
Scanning System	Proressive
Min. Illumination	0.006 Lux @@(F1.6, AGC ON),B/W: 0 Lux with white light
Lens	
Focal Length	2.8mm Fixed
Lens Type	Fixed
Mount Type	Board-in Type
Operational	
Camera Title	Off/on Multile Line ISD
IR Viewable Length	30Meters
Day & Night	Auto / Color / B/W
Backlight Compensation	Off / SLS / BLC
Wide Dynamic range	off / DWD Mode
Defog	On / Off
Motion Detection	Off / On, Custom Multi Zone
Privacy Masking	Off / On (6ea rectangular zones)
Gain Control	Off / Low / Middle / High
White Balance	Automatic / Warm, Naural, Fluorescent
Shutter Speed	1/5- 1/100000
Digital Zoom	N/A
Flip / Mirror	On / Off
Alram Triggers	Motion, Video Tamper
Network	
Ethernet	RJ-45 (10/100BASE-T)
Video Compression	H.265,H.264,S265
Resolution	5MP (2592x1904) @ 20FPS, 4MP (2560x1440) @ 20FPS, 3MP (2304x1296) @ 25FPS, 2MP (1920x1080) @ 25FPS
Max. Framerate	25 FPS
Bitrate Control Method	VBR, VCR, Fixed
Bitrate	16kbps-4MBPs
Streaming Capability	Dual, Main & Sub
IP	IPv4
Protocol	TCP/IP, UDP/IP, RTP(UDP), RTP(TCP), RTCP,RTSP, NTP, HTTP, HTTPS, SSL/TLS, DHCP, PPPoE, FTP, SMTP, ICMP, IGMP, SNMPv1/v2c/v3(MIB-2), ARP, DNS, DDNS, QoS, PIM-SM, UPnP
API	ONVIF
Web Viewer	IE, Chrome, Firefox
ENVIRONMENTAL	
Operating Temp.	30°C ~ +55°C (-22°F ~ +131°F) / Less than 90% RH
Storage Temp.	30°C ~ +60°C (-22°F ~ +140°F) / Less than 90% RH
IP Rating	IP65
ELECTRICAL	
Input Voltage / Current	PoE (IEEE802.3af, Class3)
Power Consumption	Max. 3.5W
MECHANICAL	
Color / Material	Ivory / Plastic
Dimensions (WxH)	Ø109 x 81mm (Ø4.3" x 3.2")
Weight	550g (1.21 lb)